

NEMO Implementation Report

Koshiro Mitsuya

mitsuya@sfc.wide.ad.jp

Version 20040311

Specification

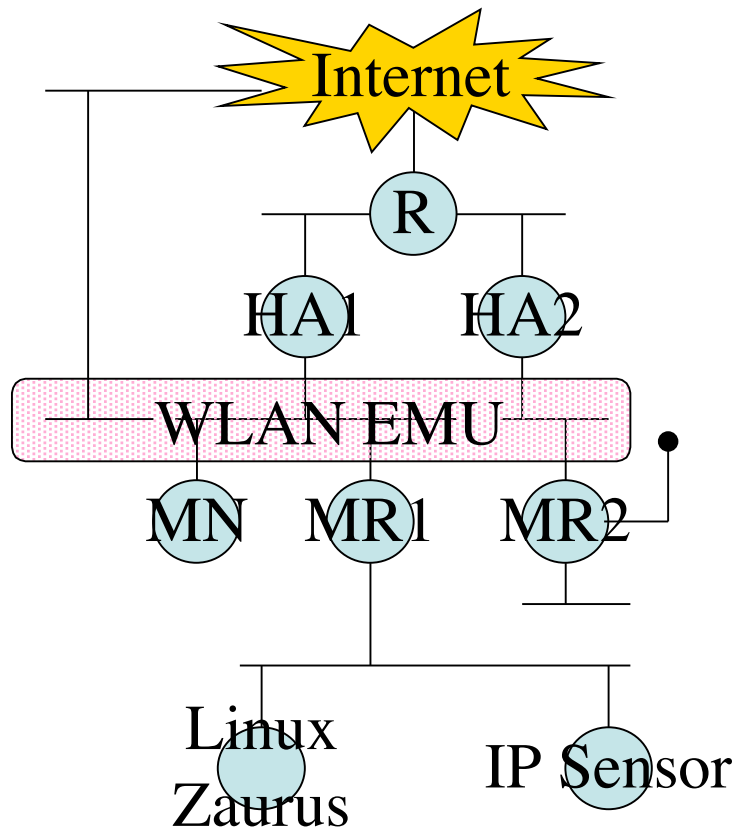
- Based on draft-02
- NetBSD 1.6.1 w/ KAME MIPv6
 - Currently, snap 20040126
- Support MR and HA
- Support Explicit and Implicit mode
 - HA supports both mode at once
 - MR switches their mode by configuration
- Support DHAAD
- IPSec between HA-MR

Status

- MR-MR communication works
- Nested mobility works
 - VMN, VMR
 - Just tried 1st level of netsted
- Support Simple Multiple I/F switching
 - Put preference on each I/F
 - Just using KAME MIPv6 function
- Interoperability
 - Connectathon 2004
 - With Nokia, Keio Univ.(Ryuji's)

Nautilus Indoor-Testing Demo

version 20040311



- NEMO Basic Support v02
- Two HAs have each MR
- MR1 has two MNN, one is a IPv6 sensor
- MR2 has two egress interfaces
 - Vertical handoff
- WLAN emulator changes mobile's AP s
 - Horizontal handoff
 - For the details, see XXX
- MR2/MN visits MR1
 - Nested Mobility

Fig: network configuration

Near Future Plan

- Release our code
 - April 2004
 - As a patch of KAME??
- Support recent KAME snap and FreeBSD
- Develop multiple MR stuff
- Develop “advanced” multiple I/F stuff
 - Policy based: address, port,,,